



Short instructions

COMFORT-WOHNUNGS-LÜFTUNG

CWL - 180/ 300/ 400 Excellent



What balanced ventilation means?

Balanced ventilation is a form of the ventilation, with the correct amount of air in a dwelling is continuously refreshed. This refreshment takes place, as air from the room is taken off and at the same time a just as large quantity of fresh outside air is supplied.

The function

The heat-recovery-unit CWL-Excellent moves constantly used and moistens room air off in the free and brings fresh clean outside air in the house are transferred over the heat exchanger of the heat recovery.

At the same time fresh outside air is sucked in, cleaned by an air filter, heated above the cross-flow plate heat exchanger and fed into the appropriate supply air spaces such as living room, bedroom and nursery.

Advantages

- Cleaner, pollen-free, fresh air - ventilation with windows closed, no road noise (not just for allergy sufferers).
- Removable synthetic cross-flow plate heat exchanger, heat recovery from the spent air up to 95%.
- Standard equipped with a an automatic bypass functioning for the night ventilation. (CWL-180 Excellent Bypass function only)
- One fan for supply and exhaust air, infinitely variable, lower energy consumption by DC fans.
- Fans hold for any of the fan speed, the air flow constant. This provides a durable high efficiency is achieved and easy balancing limited to a minimum.
- Automatic frost protection offers optimal protection against freezing, and optionally the default mounted preheater is switched.
- Device is wired and ready for use, filter change indicator on the switch.

Maintenance

The heat recovery unit is equipped with an outside air filter and an exhaust filter. The two filters must be changed regularly to get the functionality of the appliance. This is indicated on the display, or by the flashing red signal light on the three-step switch. The cleaning of the filter is described on page 3 (CWL-180 Excellent) or page 4 (CWL-300/400 Excellent).

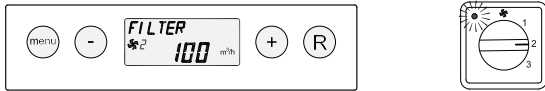
Once a year the appliance must be inspected and the filters to be exchanged. Best you can enclose a servicing contract with your Installateur (at the same time with maintenance your heater equipment). In addition, clean the heat exchanger is every 3 years (sooner if necessary) under running water.

If your heat recovery unit functions insufficiently, proceed best as follows

- Examine whether the plug is put into the wall outlet or if the appliance is switched on (if required operate during 5 seconds the button “-” button until the display shows “OFF”).
- If the filters are dirty, clean these or replace if required.
- Ask your Installateur, if the problem is not solved.

CWL-180 Excellent - User Maintenance

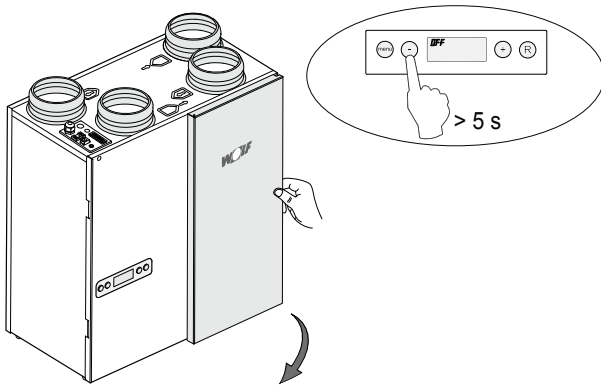
User maintenance is limited to periodically cleaning or replacing the filters. The filter only has to be cleaned when that is indicated on the display (it shows the text “**FILTER**”) or, if a multiple switch with filter indication is installed; when the red LED at the switch lights up.



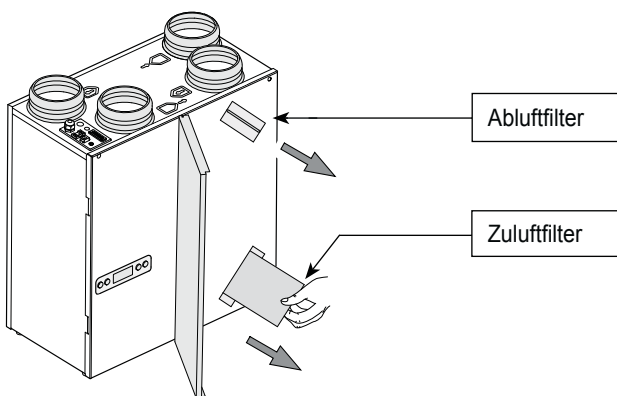
The filters must be replaced every year. It is not permitted to use the appliance without filters.

Cleaning or replacing the filters:

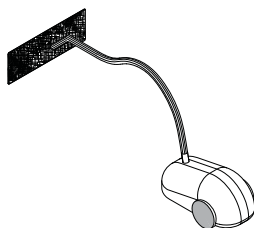
- 1 - Press the ‘-’ key for 5 seconds.
- Open the filter door



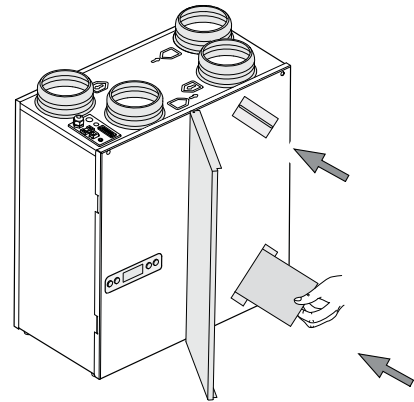
- 2 Remove the filters. Remember in what way the filters are taken out. (Clean side of the filter in the direction of the heat exchanger).



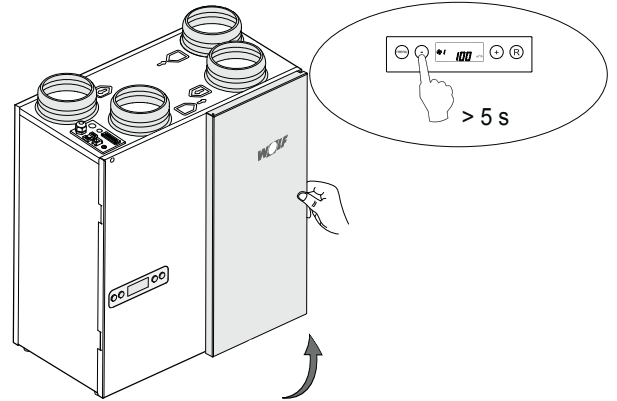
- 3 Clean the filters.



- 4 Place the filters back the same way as they were taken out.

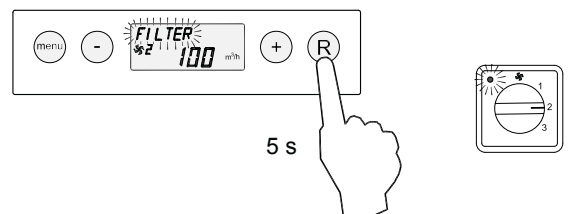


- 5 Close the filter door. Switch on the appliance by pressing the key ‘-’ during 5 seconds.

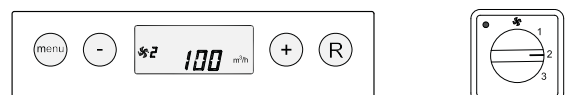


- 6 After the filters have been cleaned or replaced, press the “R” key for 5 seconds to reset the filter indication.

The text “**FILTER**” will blink briefly to confirm that the filters have been reset. Also when the message “**FILTER**” has not yet appeared on the display, a filter reset can be carried out. the “counter” will be reset to zero.



After the filter reset, the text **FILTER** disappears; the light at the multiple switch is off and the display is back to operating mode.



CWL-300/400 Excellent - User Maintenance

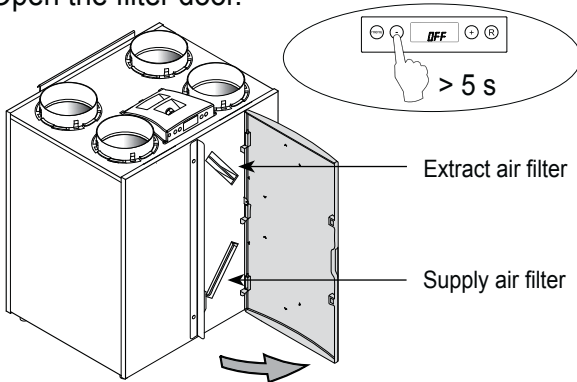
User maintenance is limited to periodically cleaning or replacing the filters. The filter only has to be cleaned when that is indicated on the display (it shows the text „**FILTER**“) or, if a multiple switch with filter indication is mounted, when the red LED at the switch lights up.



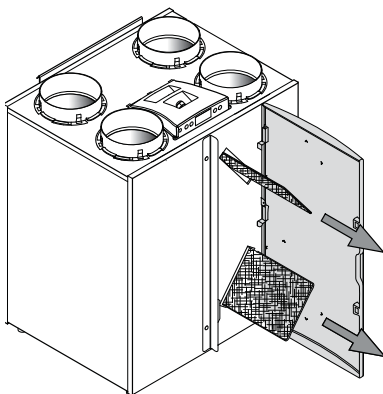
The filters must be replaced every year. It is not permitted to use the appliance without filters.

Cleaning or replacing the filters:

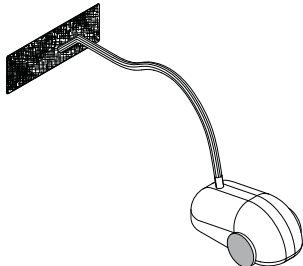
- 1 - Press the ‘-’ key for 5 seconds.
- Open the filter door.



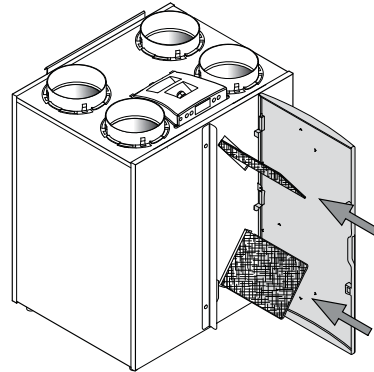
- 2 Remove the filters. Remember in what way the filters are taken out. (Clean side of the filter in the direction of the heat exchanger).



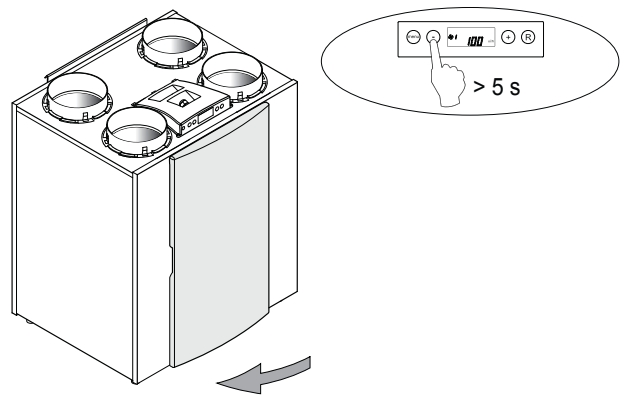
- 3 Clean the filters.



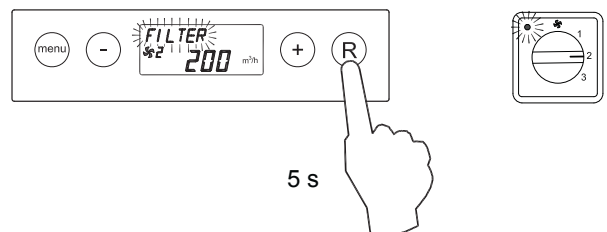
- 4 Place the filters back the same way as they were taken out.



- 5 Close the filter door. Switch on the appliance by pressing the key ‘-’ during 5 seconds.



- 6 After the filters have been cleaned or replaced, press the “R” key for 5 seconds to reset the filter indication. The text “**FILTER**” will blink briefly to confirm that the filters have been reset. Also when the message “**FILTER**” has not yet appeared on the display, a filter reset can be carried out. the “counter” will be reset to zero.



After the filter reset, the text “**FILTER**”; disappears, the light at the multiple switch is off and the display is back to operating mode.

