



Technik, die dem Menschen dient.

Short operating instructions

HEAT-RECOVERY-UNIT CWL



Guidance for the inhabitant

What balanced ventilation means?

Balanced ventilation is a form of the ventilation, with the correct amount of air in a dwelling is continuously refreshed.

This refreshment takes place, as air from the room is taken off and at the same time a just as large quantity of fresh outside air is supplied.

The function

The heat-recovery-unit pulls constantly used and moistens room air off in the free and brings fresh clean outside air in the house; 95% of the warmth, which are in the taken off air, are transferred over the heat exchanger of the heat recovery unit to the fresh outside air. There can be select from three different ventilation stages: Absence and presence stage as well as a stage for cooking/showers (and/or low, middle or high speed).

May a window be opened?

Also with a system of balanced ventilation a window may be opened, if that is wished. In the summer much speaks for it. For the fresh air in the dwelling it is however not necessary.

The most important advantages for it on a view

- Dirty room air and humidity are derived directly to the outside air.
- It is brought continuously fresh air into the bedrooms and in the living room.
- There can always be ventilated with the correct amount of air.
- By the use of a heat recoveryunit approx. 400 m³ natural gas a year can be saved.
- Because the use of fewer gases, a dwelling with a heat recovery unit is pollution free.

Maintenance

The heat recovery unit is equipped with two filters. Fresh outside air is filtered before brought into the dwelling. Used air leaves the dwelling by the appliance.

For the preservation of the appliance also this air is filtered.

For good functioning clean both filters regularly (surely in the first weeks after the acceptance of the dwelling).

This is indicated on the display of the appliance and/or by flashing the red signal light on the three-step switch. See overleaf for the guidance concerning the cleaning of the filters.

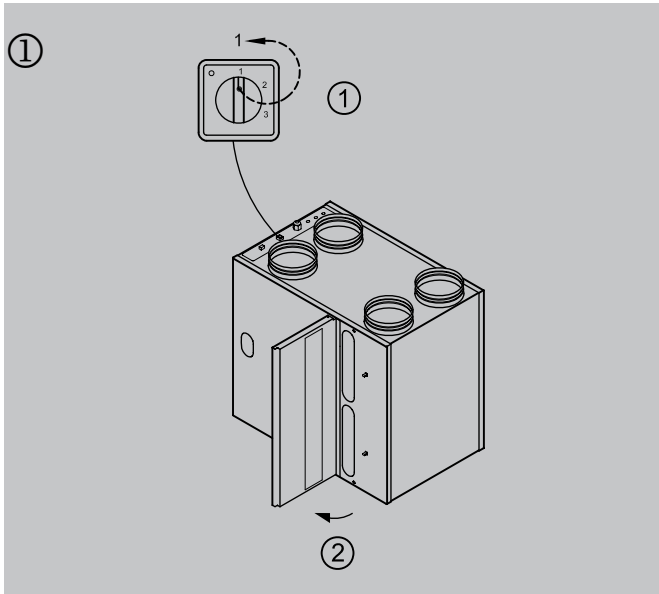
Once a year the appliance must be inspected and the filters to be exchanged.

Best you can enclose a servicing contract with your Installateur (at the same time with maintenance their heater equipment).

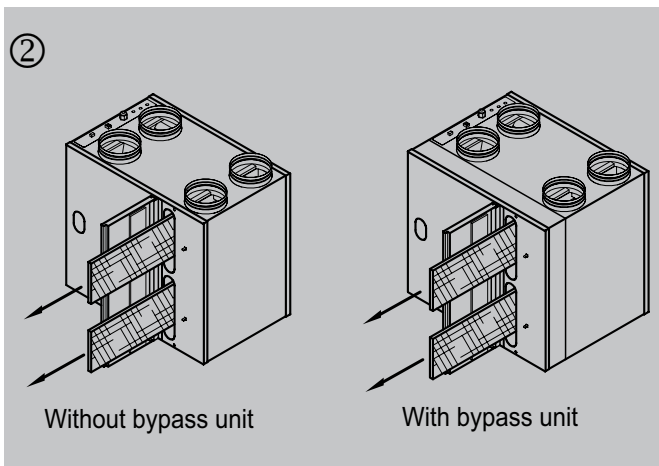
If your heat recovery unit functions insufficiently, proceed best as follows

- Examine whether the plug is put into the wall outlet or if the appliance is switched on (if required operate during 3 seconds at the same time the button "OK" and "+").
- If the filters are dirty, clean these or replace if required.
- Ask your Installateur, if the problem is not solved.
- Because the use of fewer gases, a dwelling with a heat recovery unit is pollution free.

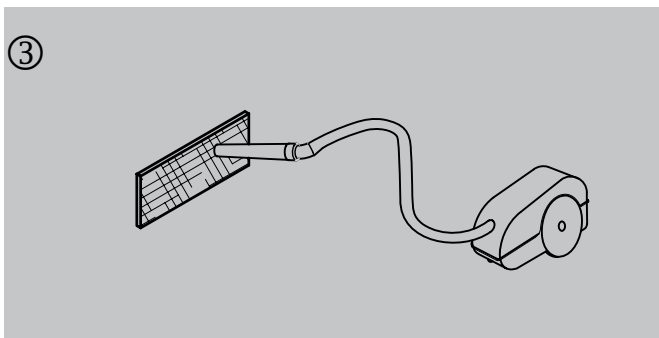
Cleaning the filters



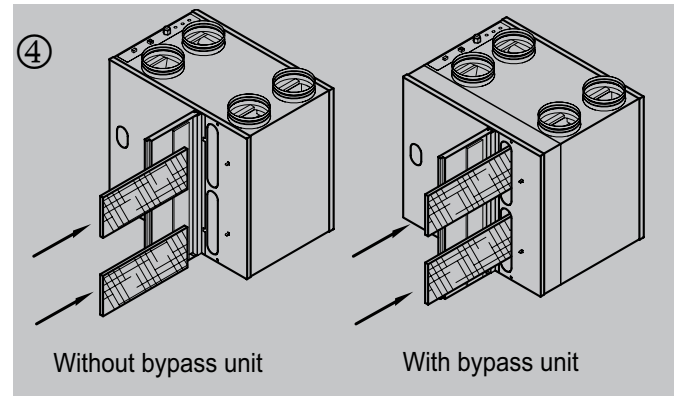
- Put the 3-way switch at setting 1 to let the appliance's fans run at low speed.
- Open the filter door.



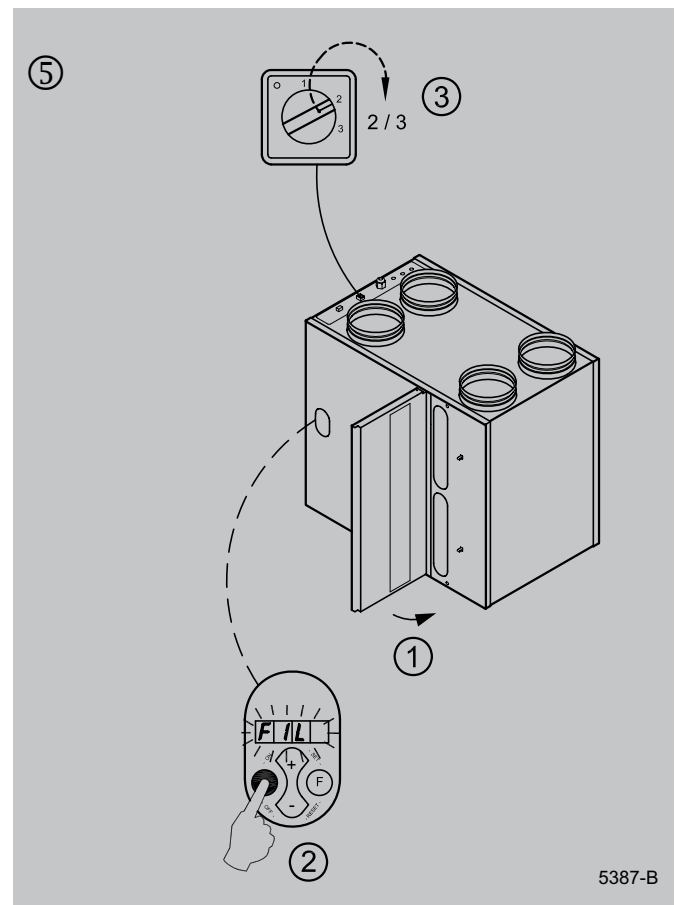
- Remove the filters. Remember in what way the filters are taken out.



- Use a vacuum cleaner to clean the filters.



- Place the filters back the same way as they were taken out.
- Close the filter door.
- After cleaning the filter or placing a new filter, the filter indication must be reset by pressing key "OK" during 1 second.
- The display will blink for a moment to confirm that the filter has been reset. The appliance will return to operational mode.
- Put the 3-way switch back to the original setting.



5387-B

